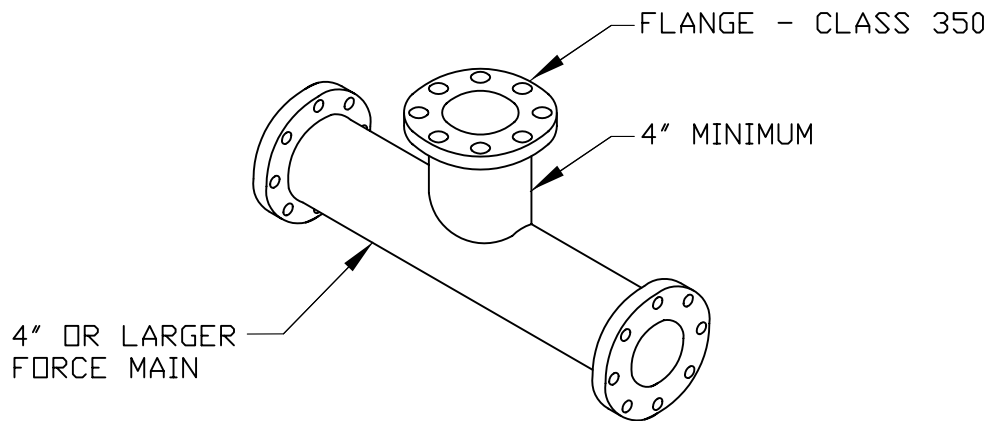


FLANGED TEE WITH THREADS FOR CONNECTION TO AIR RELEASE VALVE



FLANGED TEE WITH FLANGE FOR CONNECTION TO AIR RELEASE VALVE

ISOMETRIC VIEW
WATER MAIN/WASTEWATER MAIN

NOTES

1. IF FORCE MAIN IS 6" OR LARGER A 4" TAP AND AIR RELEASE VALVE SHALL BE USED.
2. SEE M-8 FOR AIR RELEASE VALVE DETAIL.
3. SEE TRACER WIRE DETAIL, M-14.

INDIAN RIVER COUNTY
DEPARTMENT OF
UTILITIES SERVICES



FLANGED TEE
FOR ABOVE GROUND
AIR RELEASE VALVES

JULY 2007

DRAWING
NO.
M-8
(A)