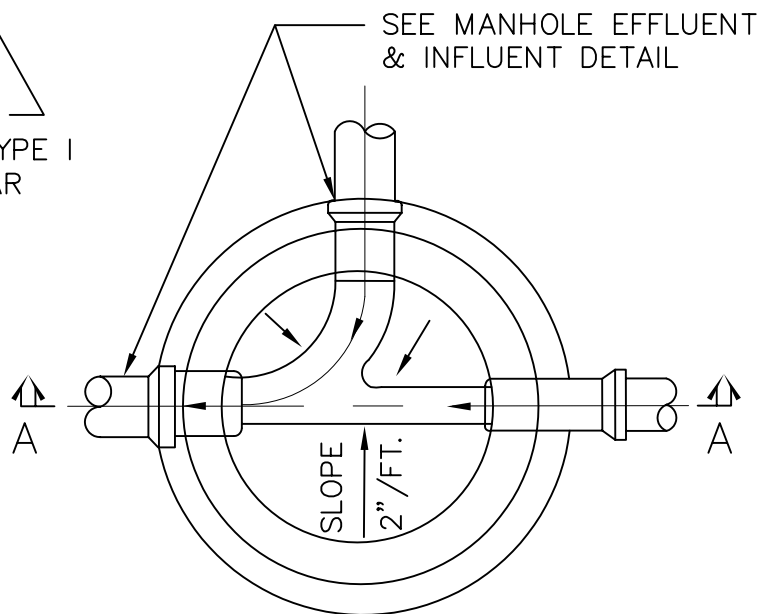


ELEVATION  
SECTION A-A



PLAN VIEW

TO BE USED WHERE DROP IS LESS THAN 2'

NOTES

1. SEE MANHOLE NOTES ON DRAWING NO. S-4.
2. SEE PIPE OPENING DETAIL DRAWING NO. S-10.
3. SEE MANHOLE EFFLUENT & INFLUENT DETAIL DRAWING NO. S-11.

INDIAN RIVER COUNTY  
DEPARTMENT OF  
UTILITIES SERVICES



MANHOLE  
TYPE "B" DROP

JULY 2009

DRAWING  
NO.

S-9