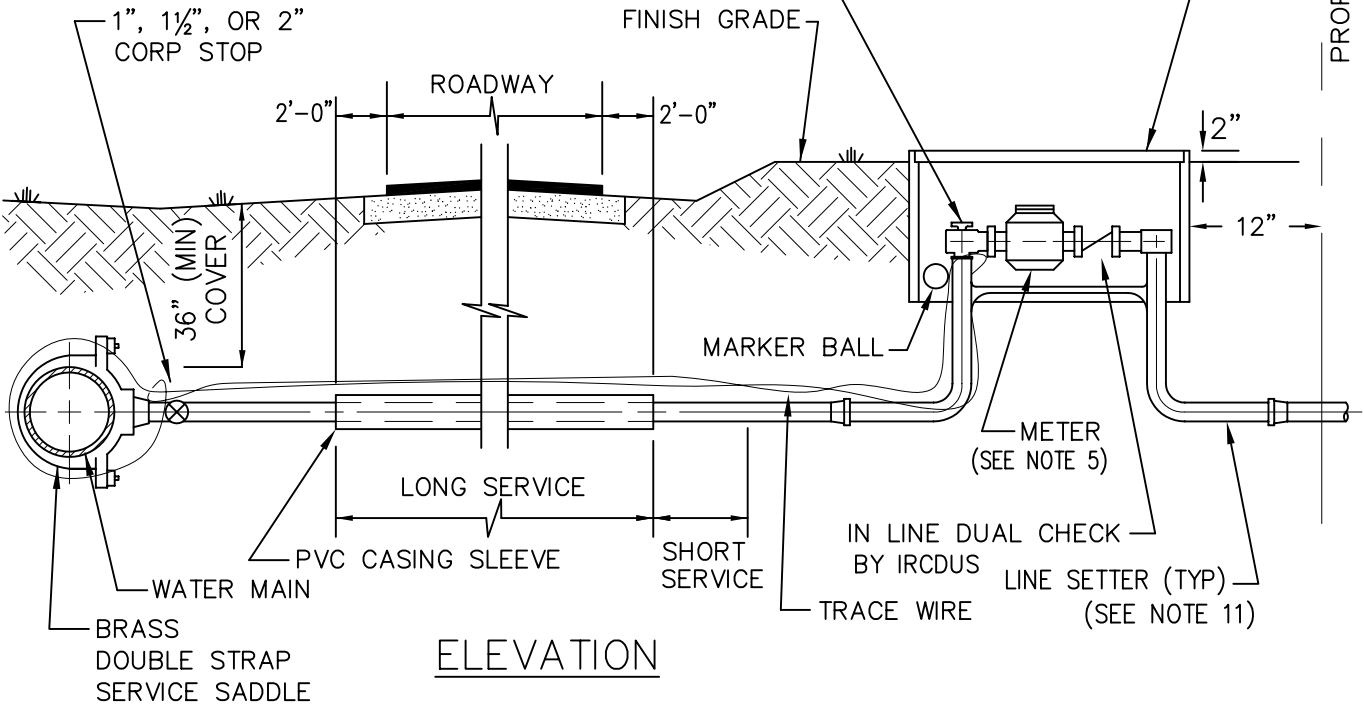


METERS SHALL BE LOCATED IMMEDIATELY
INSIDE THE RIGHT-OF-WAY UNLESS
OTHERWISE DIRECTED BY IRCDUS

APPROVED METER BOXES
SHALL BE POLYMER
CONCRETE & FIBERGLASS
WITH NO HOLE LID

90° ANGLE LOCKING CURB STOP
(BALL VALVE TYPE TO ACCOMMODATE
5/8"Øx3/4"Ø METER)



ELEVATION

NOTES

1. SUCCESSIVE TAPS INTO THE WATER MAIN SHALL BE A MINIMUM OF 18" ON CENTER.
2. ALL SERVICES REQUIRE 36" MINIMUM COVER.
3. MINIMUM SERVICE SIZE SHALL NOT BE LESS THAN 1"Ø, DUAL SERVICES SHALL BE A MINIMUM 1-1/2"Ø, TRIPLE SERVICES SHALL BE A MINIMUM 2"Ø AND QUADRUPLE SERVICES SHALL BE APPROVED BY IRCDUS.
4. 1"Ø & 1-1/2"Ø LONG SERVICES REQUIRE A 2" MINIMUM I.D. CASING PIPE. 2"Ø LONG SERVICES REQUIRE A 3" MINIMUM I.D. CASING PIPE. CASING PIPE SHALL BE SCHEDULE 40 P.V.C.
5. ALL METERS 2"Ø OR SMALLER SHALL BE INSTALLED BY IRCDUS. REFER TO APPROVED MANUFACTURERS' PRODUCT LIST FOR METERS GREATER THAN 2"Ø.
6. PIN LOCKS SHALL BE PURCHASED BY THE DEVELOPER AND/OR CONTRACTOR AND SHALL BE INSTALLED ON ALL LOCKING CURB STOPS, SAMPLING POINTS, AND WATER SERVICE CONNECTIONS AT THE TIME OF ACTIVATING ALL WATER MAINS OR AT SUCH TIME AS DIRECTED BY IRCDUS.
7. CURB STOPS SHALL BE THE SAME SIZE AS THE METERS THAT ARE INSTALLED.
8. TRACE WIRE TO BE INSTALLED AS PER DETAIL M-14.
9. LOCATE MARKER BALLS ARE TO BE PLACED IN ALL METER BOXES WITHIN 24" FROM SURFACE.
10. LINE SETTER PER IRCDUS APPROVED MANUFACTURERS' PRODUCT LIST.
11. ALL RESIDENTIAL AND ONE ERU SERVICES SHALL BE 5/8" METERS.

INDIAN RIVER COUNTY
DEPARTMENT OF
UTILITIES SERVICES



WATER SERVICE

DRAWING
NO.
W-4