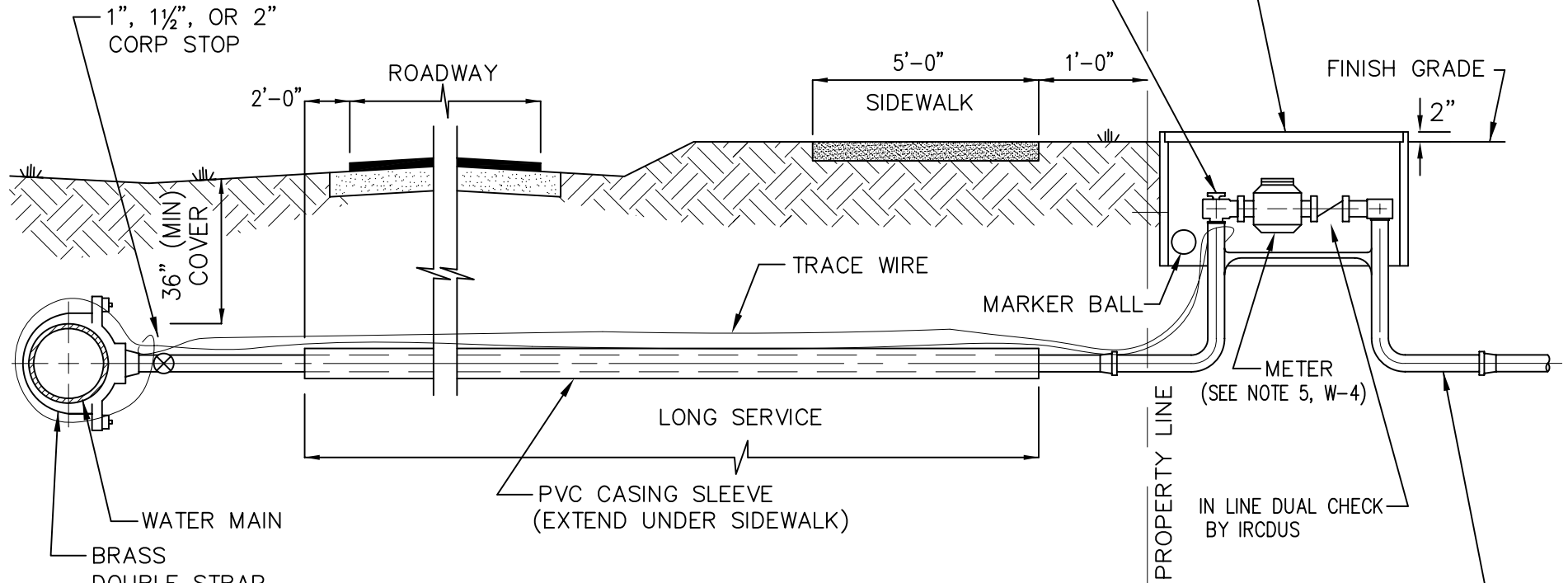


WHEN METERS CAN NOT BE LOCATED IMMEDIATELY INSIDE THE RIGHT OF WAY THEY MAY BE LOCATED INSIDE THE PROPERTY LINE AS DIRECTED BY IRCDUS

90° ANGLE LOCKING CURB STOP (BALL VALVE TYPE TO ACCOMMODATE 5/8"Øx3/4"Ø METER)

APPROVED METER BOXES SHALL BE POLYMER CONCRETE & FIBERGLASS WITH NO HOLE LID



ELEVATION

SEPTEMBER 2011

SEE NOTES
W-4

INDIAN RIVER COUNTY
DEPARTMENT OF
UTILITIES SERVICES



WATER SERVICE
(OUTSIDE OF RIGHT OF WAY)

DRAWING
NO.
W-4A