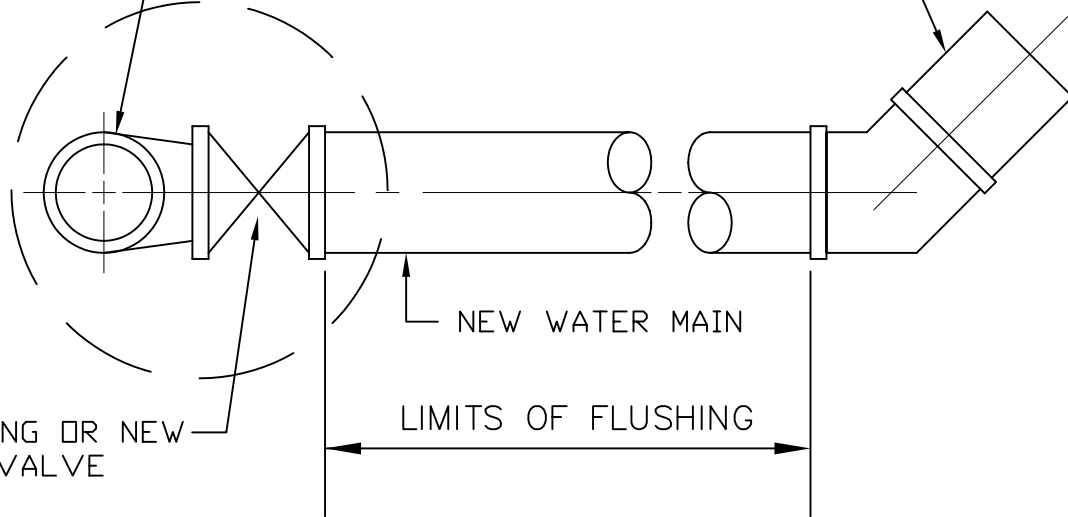


FOR DETAILS OF LINE  
FILLING SEE W-12(A)

BEND & PIPE MAY  
BE USED FOR FULL  
FLOW FLUSHING

EXISTING MAIN

EXISTING OR NEW  
GATE VALVE



ELEVATION

## NOTES

1. A FULL LINE FLUSH IS THE ONLY FLUSHING METHOD APPROVED FOR MAINS. ALL FIRE HYDRANTS AND DETECTOR CHECK VALVES SHALL BE INSPECTED AND TESTED TO ENSURE THAT NO FOREIGN OBJECTS IMPEDE THE FLOW OF WATER.
2. A PRESSURE GAUGE SHALL BE INSTALLED UPSTREAM OF THE FLUSHING POINT. THE PRESSURE UPSTREAM SHALL NOT FALL BELOW 35 P.S.I.
3. PROVIDE ALL NECESSARY THRUST BLOCKS AND/OR OTHER RESTRAINTS.
4. INDIAN RIVER COUNTY UTILITY PERSONNEL, AFTER A MINIMUM OF A 48 HOUR NOTICE BY THE CONTRACTOR, SHALL BE PRESENT FOR ALL FLUSHING ACTIVITIES AND SHALL OPERATE ALL EXISTING VALVES.
5. FOR TRANSMISSION MAINS 12" DIAMETER OR LARGER, "PIGGING" IS REQUIRED.

INDIAN RIVER COUNTY  
DEPARTMENT OF  
UTILITIES SERVICES



FLUSHING  
CONNECTION

DRAWING  
NO.

W-7

JULY 2009